



C30FT

M30 CAPACITIVE SENSOR FOR FOOD & BEVERAGE



- Sensors for food and beverage applications
- High noise immunity
- IO-Link communication
- ECOLAB certified sensors
- IP69K mechanical protection



CODE DESCRIPTION

			C30FT / B P - 2 A IO
series	C30FT	M30 capacitive sensors for food and beverage	
output	B	NO + NC complementary output	
logic	P	PNP logic	
shielded / unshielded	2	Shielded Installation	
	4	Unshielded Installation	
cable / plug	E	M12 plug exit	
	A	2 m cable exit	
IO-Link	IO	IO-Link	

AVAILABLE MODELS

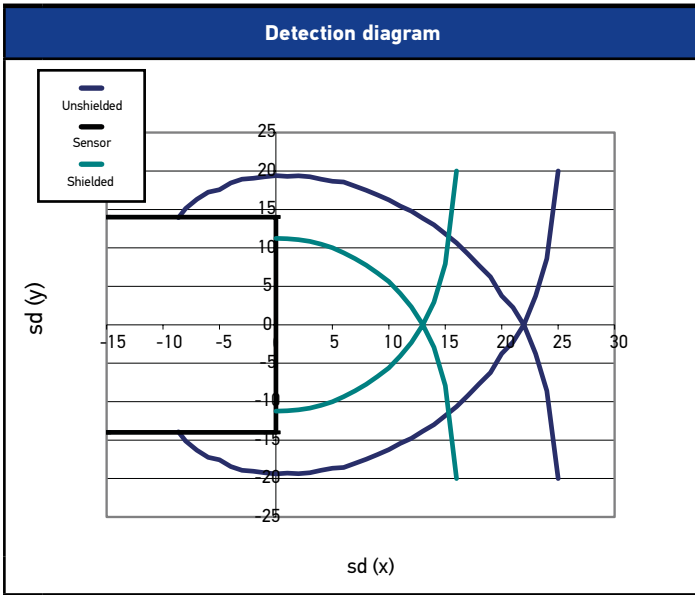
DISTANCE	INSTALLATION	CONNECTIONS	PART NUMBER
16 mm	shielded	2 m cable	C30FT/BP-2AIO
		M12 plug	C30FT/BP-2EIO
25 mm	unshielded	2 m cable	C30FT/BP-4AIO
		M12 plug	C30FT/BP-4EIO

TECHNICAL FEATURES

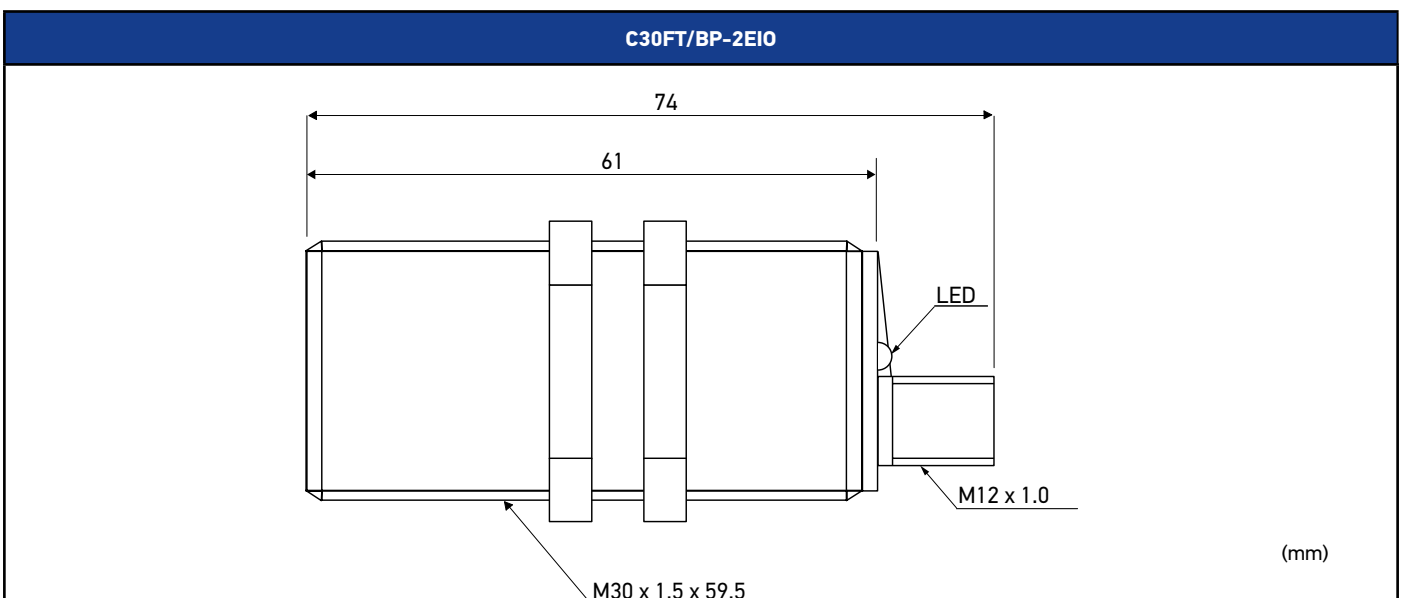
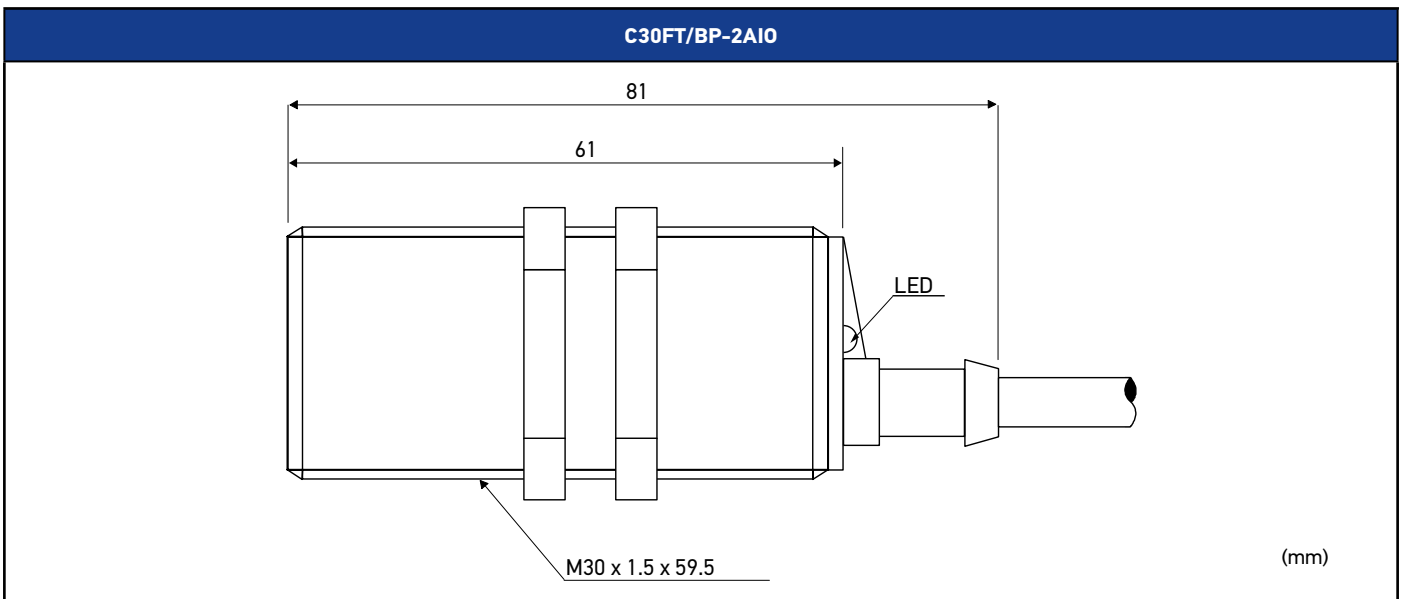
	C30FT/*2*	C30FT/*4*
Nominal sensing distance	16 mm	25 mm
Mounting	Shielded	Unshielded
Hysteresis	≤ 20%	
Repeatability	5%	
Operating voltage	10...40Vdc	
Max ripple content	≤ 10%	
No-load supply current	≤ 20mA	
Load Current	≤ 200mA	
Output voltage drop Ud	≤ 1.0 VDC @ 200 mA DC	
Output type	NO+NC/IO-Link	
Switching frequency	50Hz	
Power on delay	≤300ms	
Power supply protections	polarity reversal, impulsive overvoltage	
Output protection	autoreset reversal, impulsive overvoltage	
Sensitivity adjustment	trimmer + IO-Link	
Storage temperature	-40°C...+85°C	
Operating temperature range	-30°C...+85°C (without freeze)	
Temperature drift	< 20%	
EMC	EN60947-1; IEC 61000-4-2; IEC 61000-4-3; IEC 61000-4-4	
Protection degree	IP68, IP69K	
LEDs	Yellow LED (object detected), green LED power supply/stability	
Housing material	PTFE	
Active head material	PTFE	
Weight	103g connector; 180g cable	
Tightening torque	≤ 2 Nm	
Approvals	CE cULus IO-Link ECOLAB	

RESPONSE DIAGRAMS

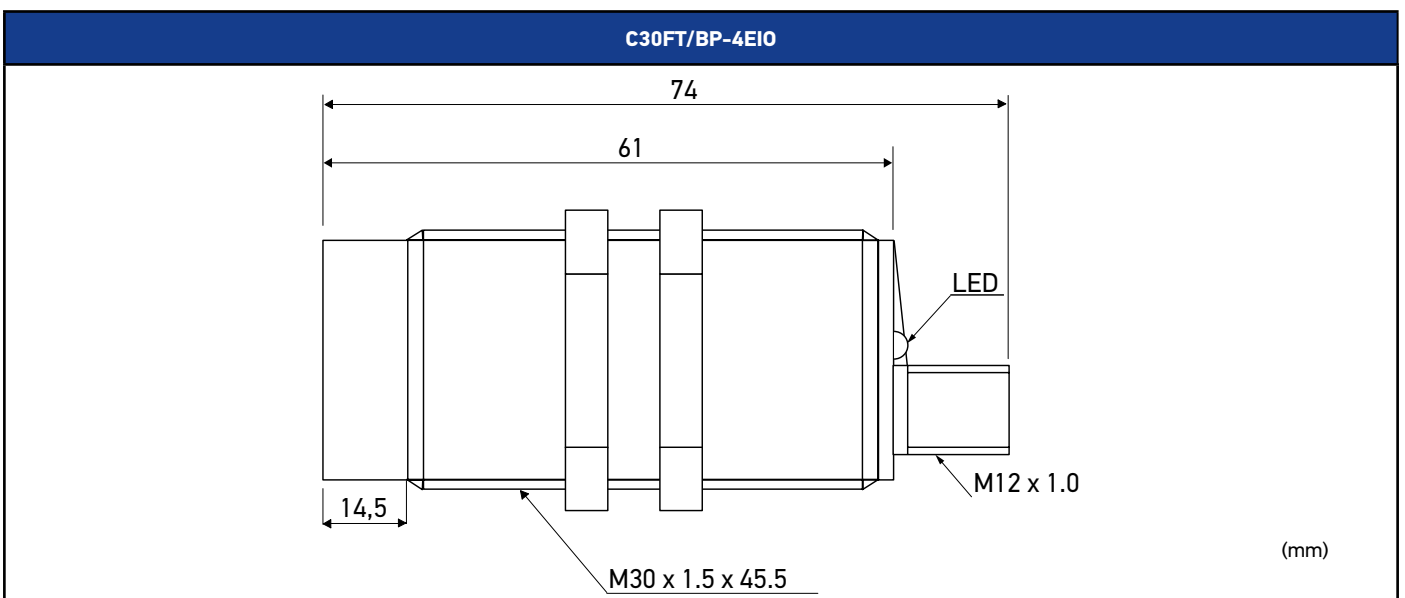
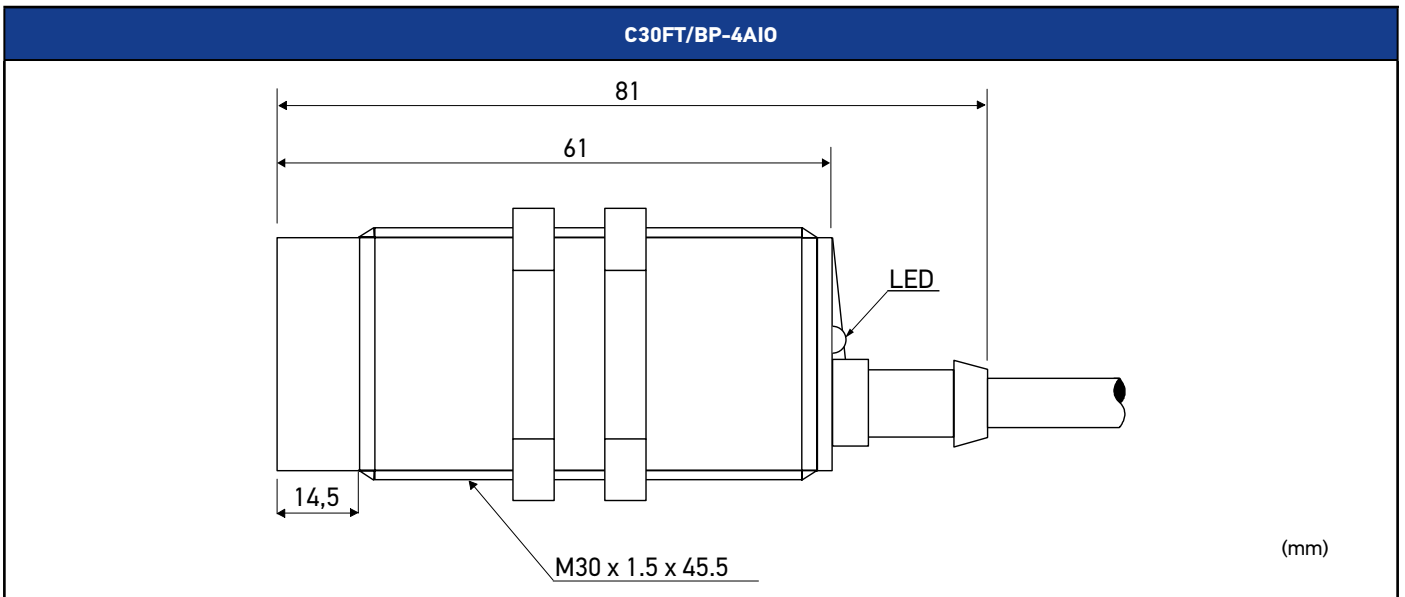
C30FT/BP-**10



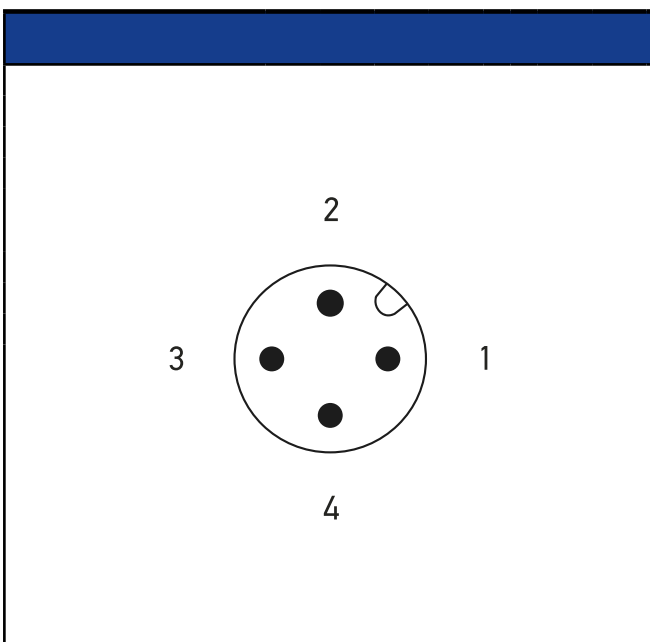
DIMENSIONS



DIMENSIONS



CONNECTION DIAGRAMS



ELECTRICAL DIAGRAMS OF CONNECTION

